

# CATSKILL

C R A F T S M E N , I N C .

## Assembly Instructions

### Model 1925

## Catskill Country Butcher Block



Read through the instructions completely to familiarize yourself with the various parts and the progression of the assembly process. Inventory your parts against the parts list. If anything is missing or damaged, contact us directly for prompt, free parts replacement. If you have any questions regarding assembly or missing or damaged parts, call our customer support number: 607-652-7321 or 888-732-7321. Customer support hours are 8am-4pm Mon. - Fri. eastern time zone.

Once your table is assembled, remember that it is made of solid northeastern hardwood and will need to be cared for as outlined in the enclosed booklet, "All About Your Butcher Block Unit," or go online to [www.catskillcraftsmen.com](http://www.catskillcraftsmen.com) to learn how to care for your new purchase and see more of our products.

# CABINET PARTS

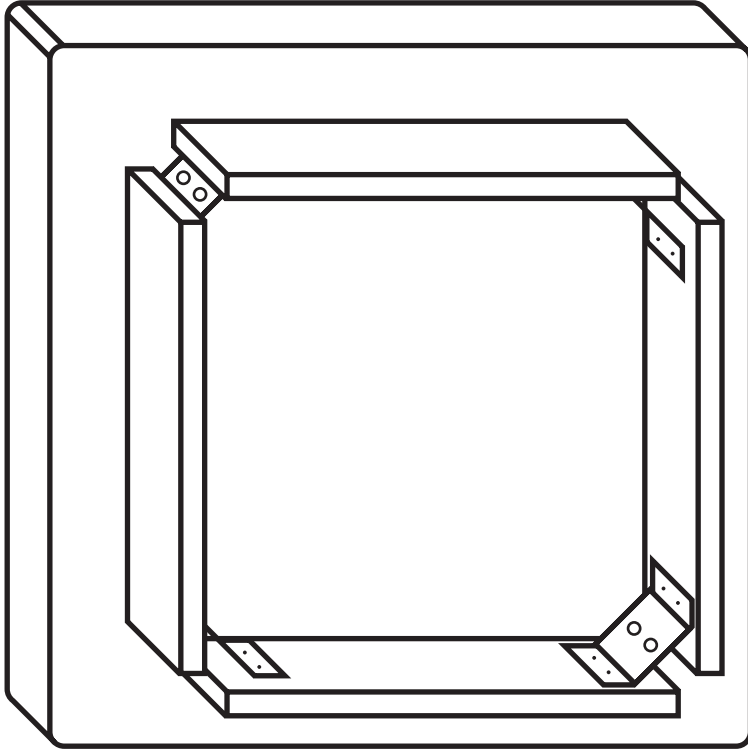
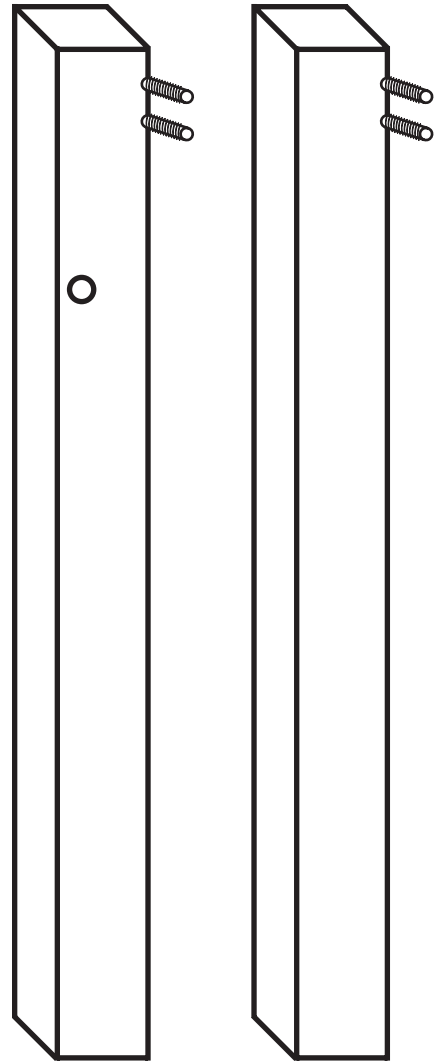


Table Top Assembly (1)



Towel Bar (2)

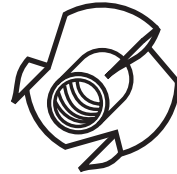


Leg A (2)

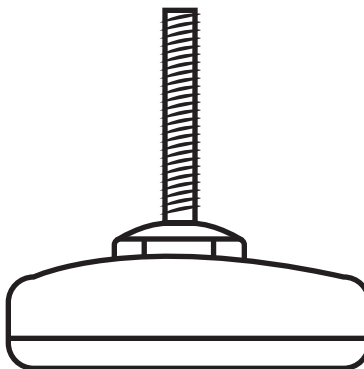
Leg B (2)



Flange Nut (8)



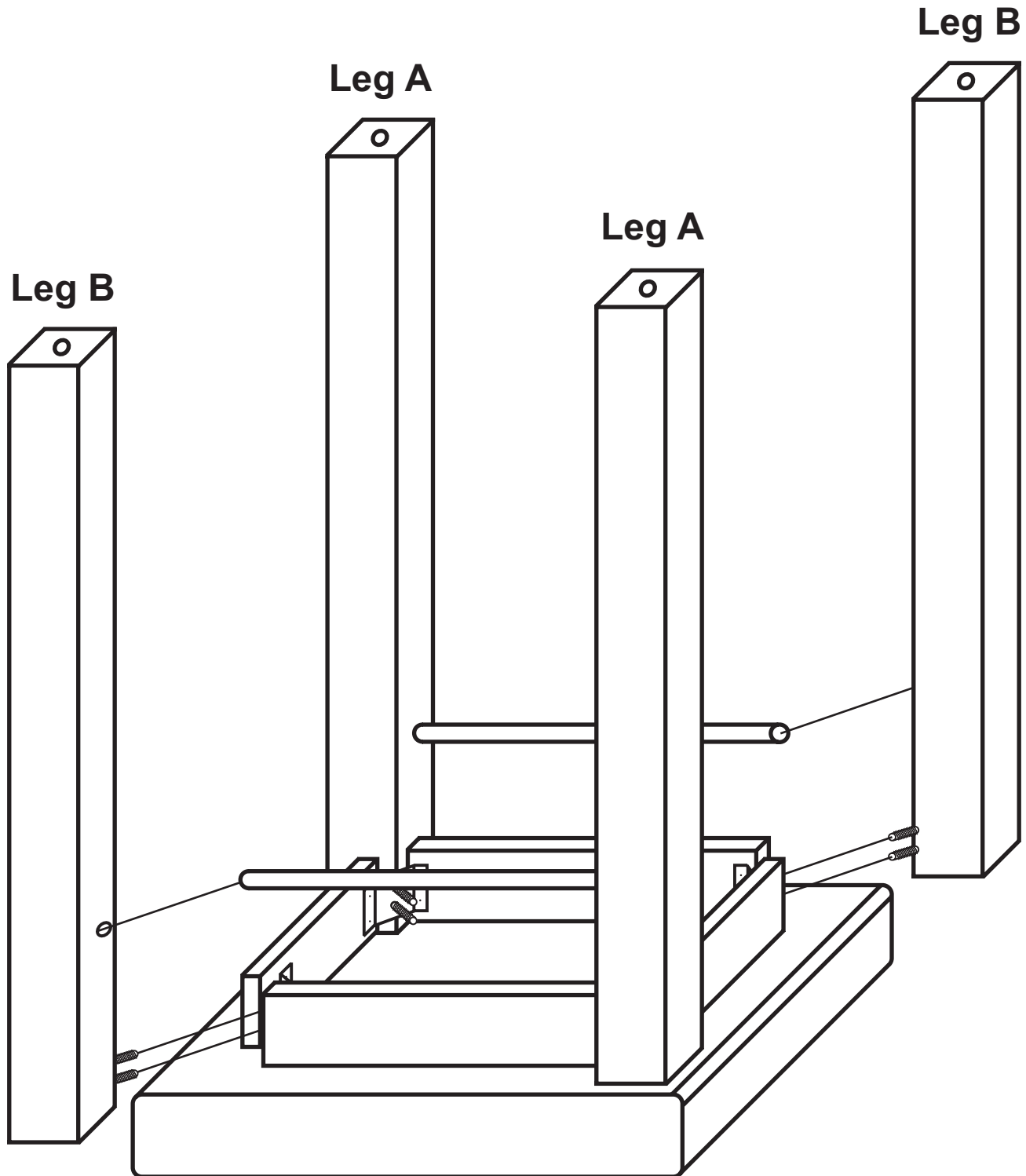
Flange Nut With Teeth (4)



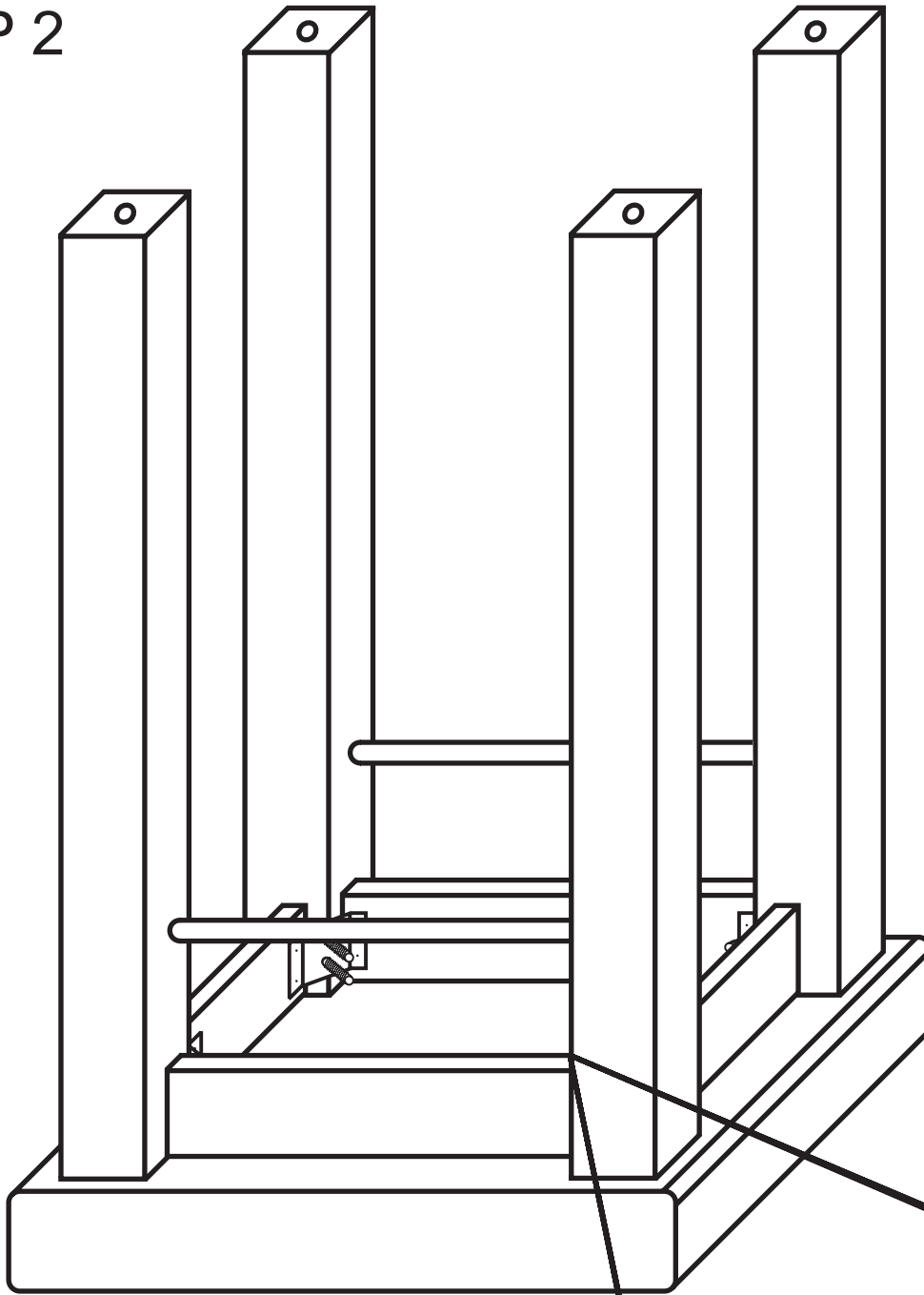
Adjustable Feet (4)

# STEP 1

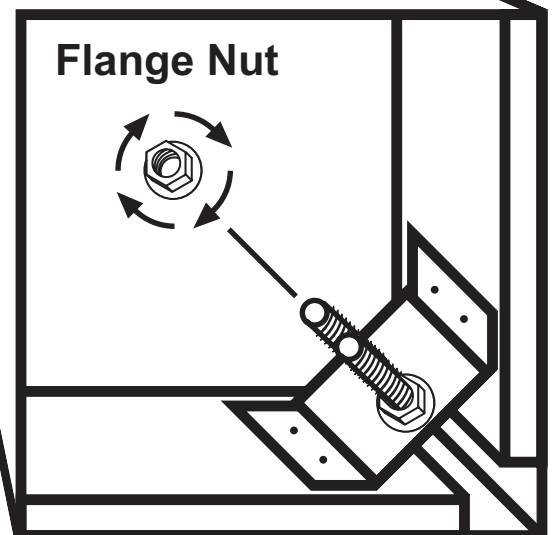
Fit legs into Table Top Assembly according to the diagram, and also fit towle bars into the holes on the legs.



## STEP 2

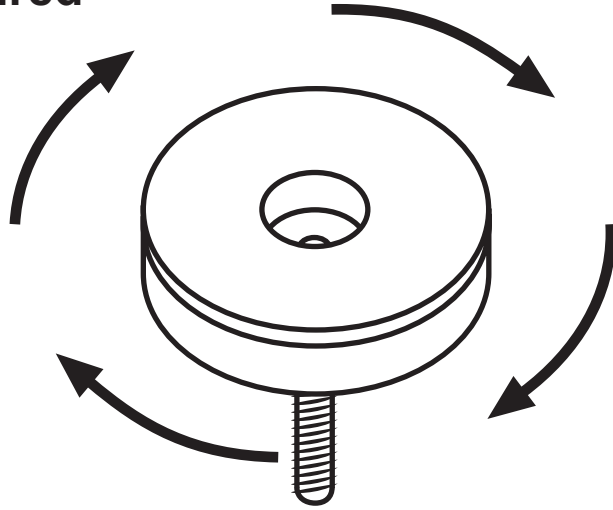


**Secure legs to Table Top with flange nuts, tighten with pliers or with a 7/16" wrench.**

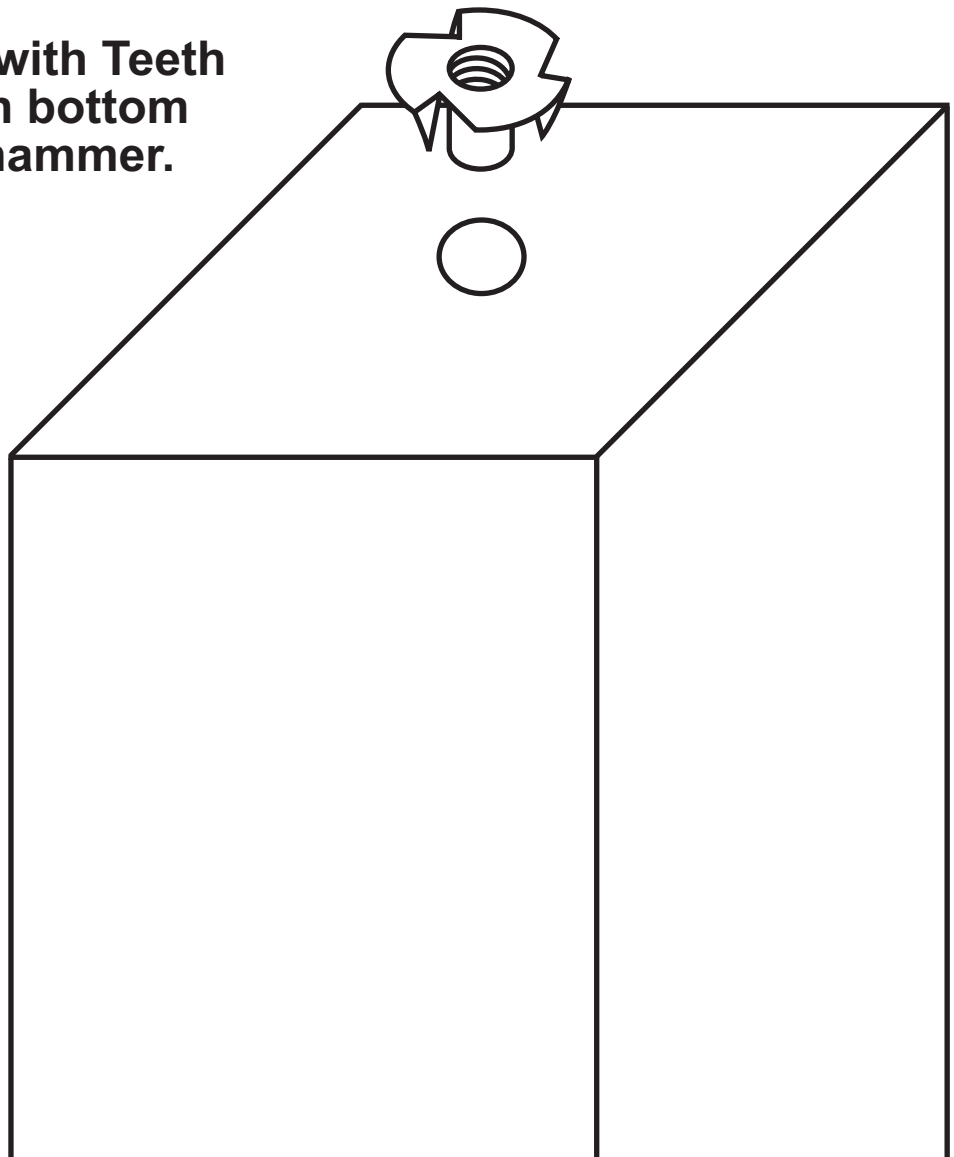


## STEP 3

**Attach the Foot to the Flange Nut after it has been secured to the leg.**



**Tap Flange Nut with Teeth into the hole in bottom of leg with a hammer.**





For continued beauty and long life of your Catskill Craftsmen cart, we recommend Catskill Craftsmen's Butcher Block Oil.

If you would like to purchase Butcher Block Oil directly from Catskill Craftsmen's factory, we offer a reduced price. For one eight ounce (8 fl. oz.) bottle, which is sufficient for two applications, simply send \$5.95 along with the completed coupon to the address below.

**CATSKILL**  
CRAFTSMEN, INC.  
**BUTCHER BLOCK OIL COUPON**

Please send me \_\_\_\_\_ # of bottle(s) of the Catskill Craftsmen Butcher Block Oil at \$5.95. My Check or Money Order is enclosed for a total of \$\_\_\_\_\_.

Item Code: 1925

NAME \_\_\_\_\_

ADDRESS \_\_\_\_\_

CITY \_\_\_\_\_

STATE \_\_\_\_\_ ZIP \_\_\_\_\_

Please make checks payable to: Catskill Craftsmen Inc.  
15 West End Ave. Stamford, NY 12167-1296



Catskill Craftsmen, Inc.  
15 West End Ave.  
Stamford, NY 12167-1296