

# CATSKILL

C R A F T S M E N , I N C .

## Assembly Instructions Model 63036

### *The Big Work Center*



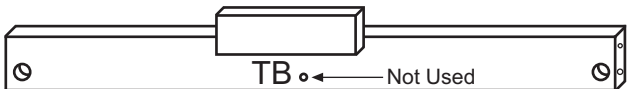
#### **GENERAL:**

1. You have purchased model 63036.
  2. Should you need assistance or need to replace a damaged or missing part simply give us a call M-F at 607-652-7321 from 7:30 am - 4:30 pm EST and we'll send you the prepaid part via UPS usually that same day! You may also email us [info@catskillcraftsmen.com](mailto:info@catskillcraftsmen.com).
  3. Read the assembly instructions and the enclosed brochure before beginning assembly. Assembly is easy if you read and follow the instructions step by step. Assembly instructions are described as you are facing an upright assembled cart.
  4. Tools required: hammer, a small and a medium Phillips head screwdriver and medium flat blade screwdriver. A pencil is also needed. A power screwdriver will speed assembly, but is not required.
  5. See our website [www.catskillcraftsmen.com](http://www.catskillcraftsmen.com) for assembly video on this model.
- NOTE: one change to the video: use 5/8" #8 pan head screws to attach glides to the drawer and cabinet

# CABINET PARTS



Bottom Brace (2)  
P/N-B-27-2-63036



Top Brace (2)  
P/N-B-27-2-TF-63036



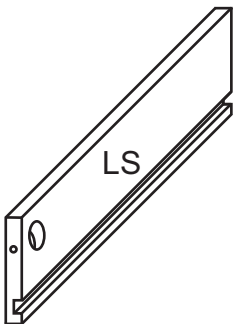
False Drawer Front (1)  
P/N-D/F-26 7/8-4 1/2-63036F



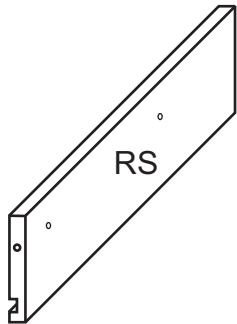
Drawer Back (1)  
P/N-DBK-24 7/16-4 1/2-63036



Drawer Front (1)  
P/N-DF-26 7/8-4 1/2-63036



Left Drawer Side (1)  
P/N-DS-63036L



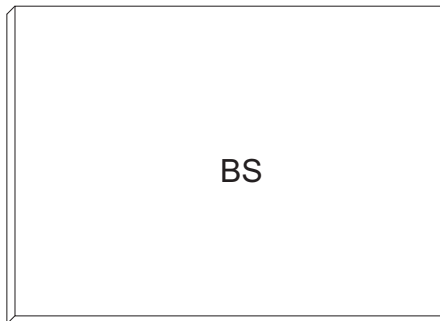
Right Drawer Side (1)  
P/N-DS-63036R



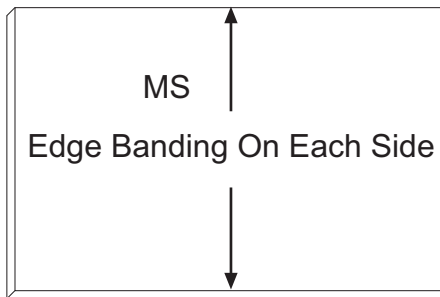
Table Top Stick (2)  
P/N-TTS-23 11/16-63036



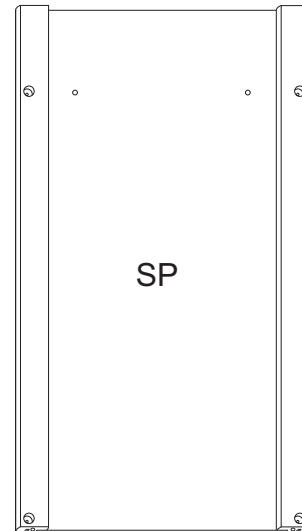
Drawer Bottom (1)  
P/N-DBOT-63036



Bottom Shelf (1)  
P/N-BS-63036



Middle Shelf (1)  
P/N-MS-63036



Side Panel (2)  
P/N-SP-63036HDL

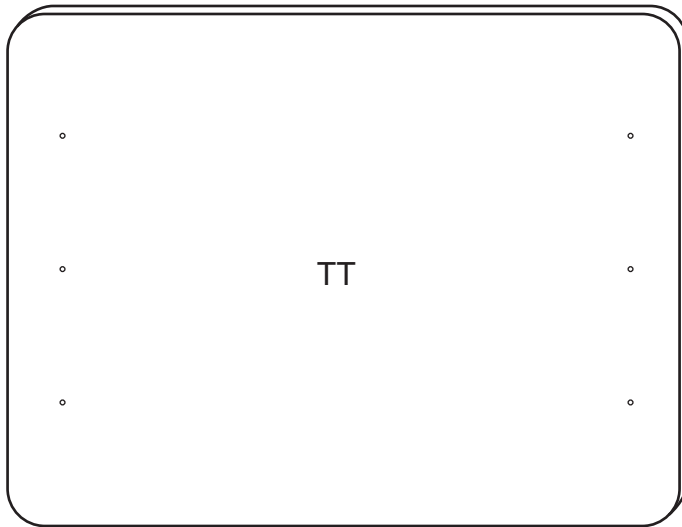
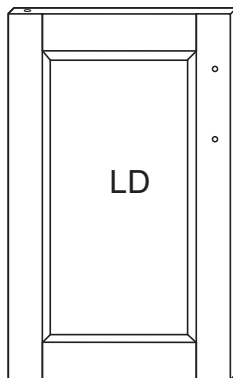
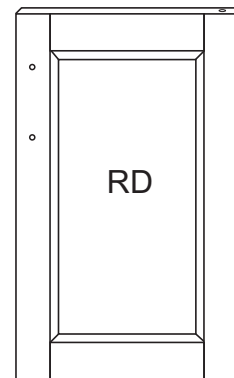


Table Top (1)  
P/N-TT-63036



Left Door (2)  
P/N-DOR-R-PANEL-L63036

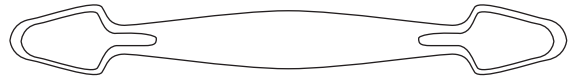


Right Door (2)  
P/N-DOR-R-PANEL-R63036

# HARDWARE



1 3/4" Phillips Flat Head Bolt (8)



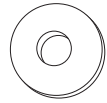
Nickel Handle (6)



1 1/4" Phillips Flat Head #8 Screw (8)



Bastion Set Screw (2)



3/16" Flat Washer (8)



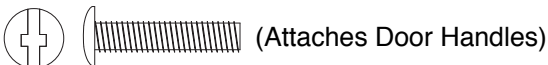
2" Phillips Flat Head #8 Screw (6)



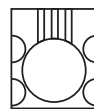
Metal Shelf Pin (4)



Bastion Post (2)



7/8" Truss Head Machine Screw (8)



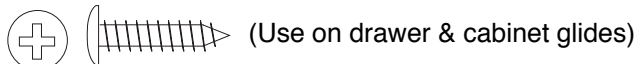
Bastion Barrel Nut (2)



5/8 Wooden Disk (12)



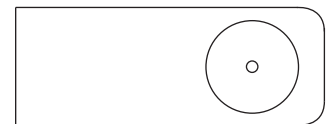
1" Truss Head Machine Screw (4)



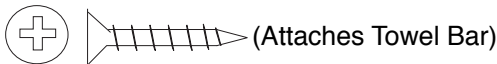
5/8" #8 Pan Head Screw (10)



10-24 Hex Nut (8)



Towel Bar Post (4)



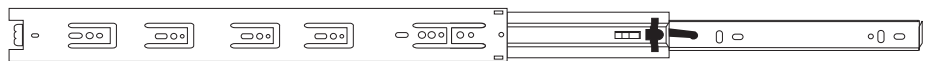
1" Phillips Flat Head #8 Screw (4)



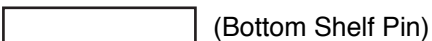
Polished Nickel Towel Bar (2)



3/4" Long 3/16" DIA. Steel Pin (12)



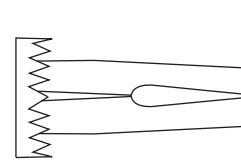
Full Extension Drawer Glides (1 Set)



1" Long 3/16" DIA. Steel Pin (4)

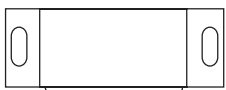


1 1/2" Long 3/16" DIA. Steel Pin (8)



Caster Socket (4)

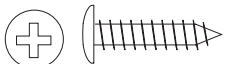
## MAGNET PACK



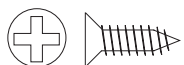
Magnet (4)



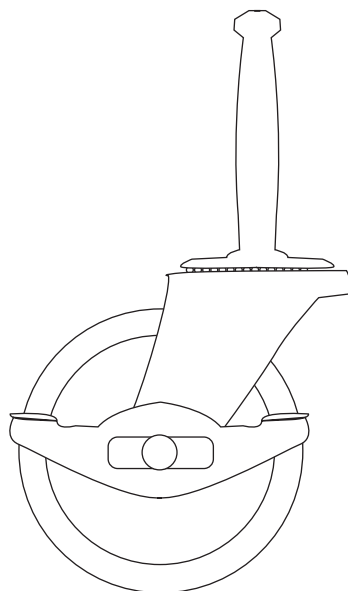
Magnet Plate (4)



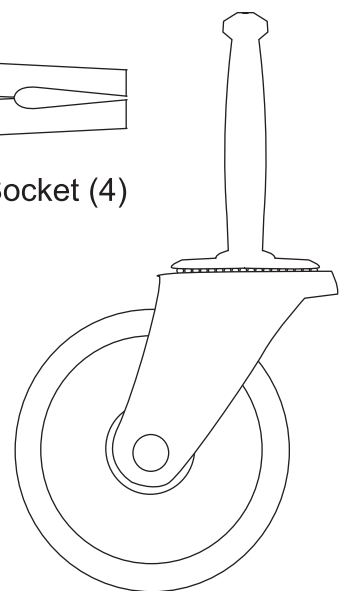
5/8" Pan Head Screw (8)



1/2" Phillips Flat Head #4 Screw (4)



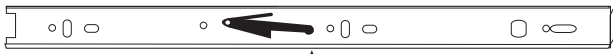
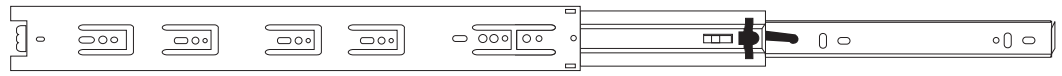
Locking Wheel Caster (2)



Non-Locking Wheel Caster (2)

# STEP 1

Push down on the black tab and pull out

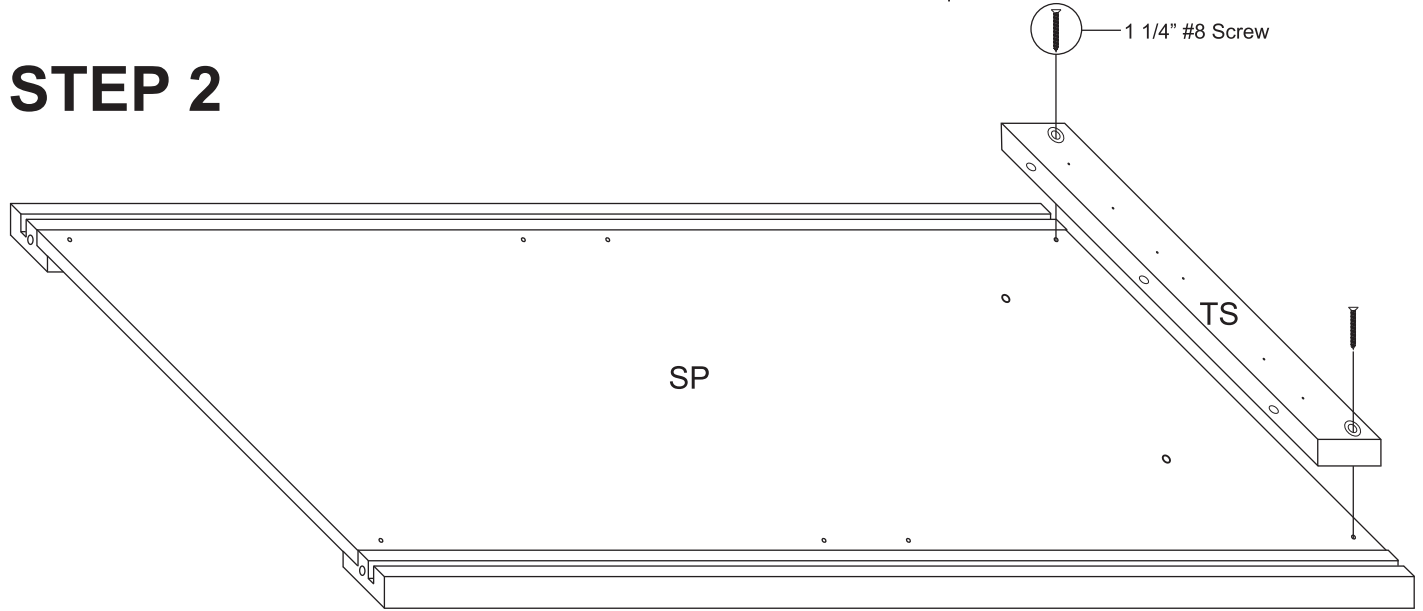


Gets attached to the drawer side



Gets attached to the Table Top Stick

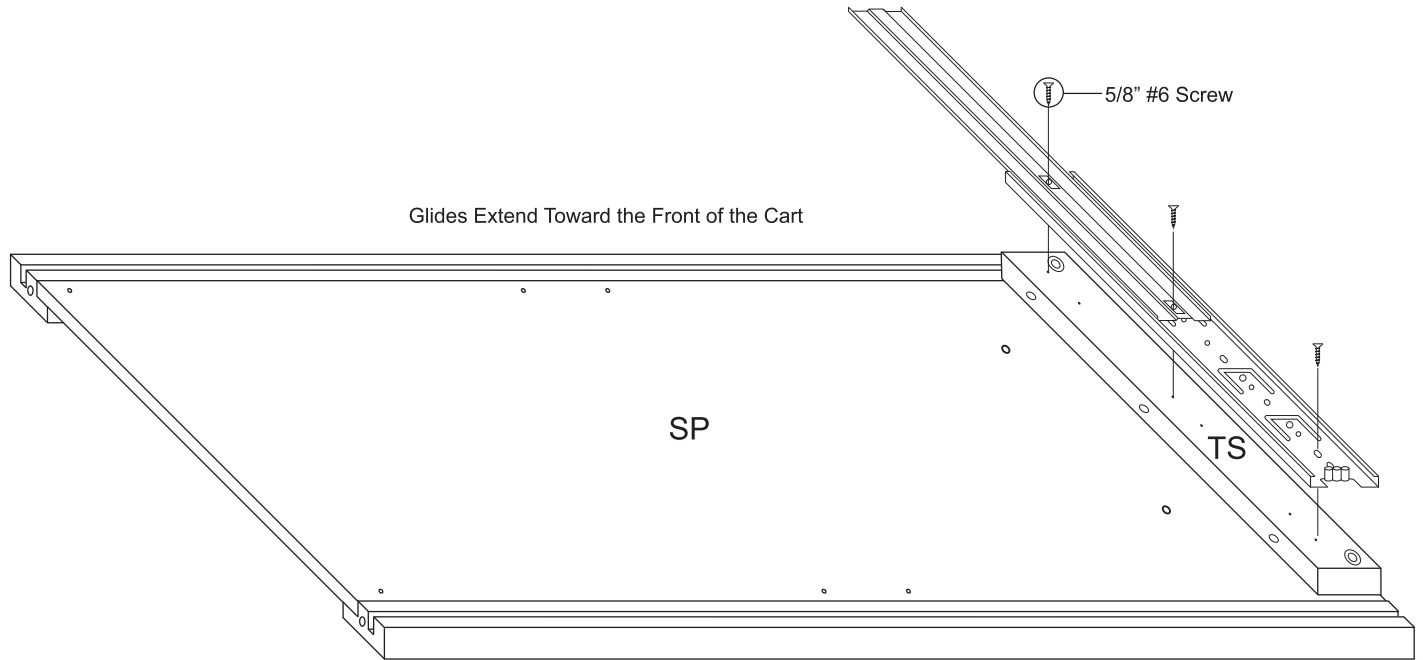
# STEP 2



1 1/4" #8 Screw

TS

SP

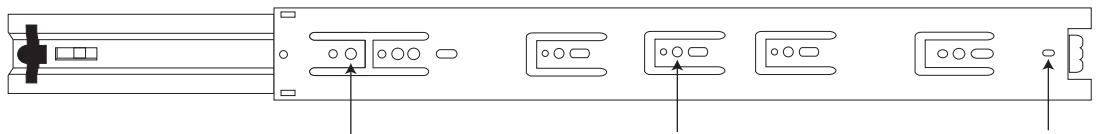


Glides Extend Toward the Front of the Cart

5/8" #6 Screw

TS

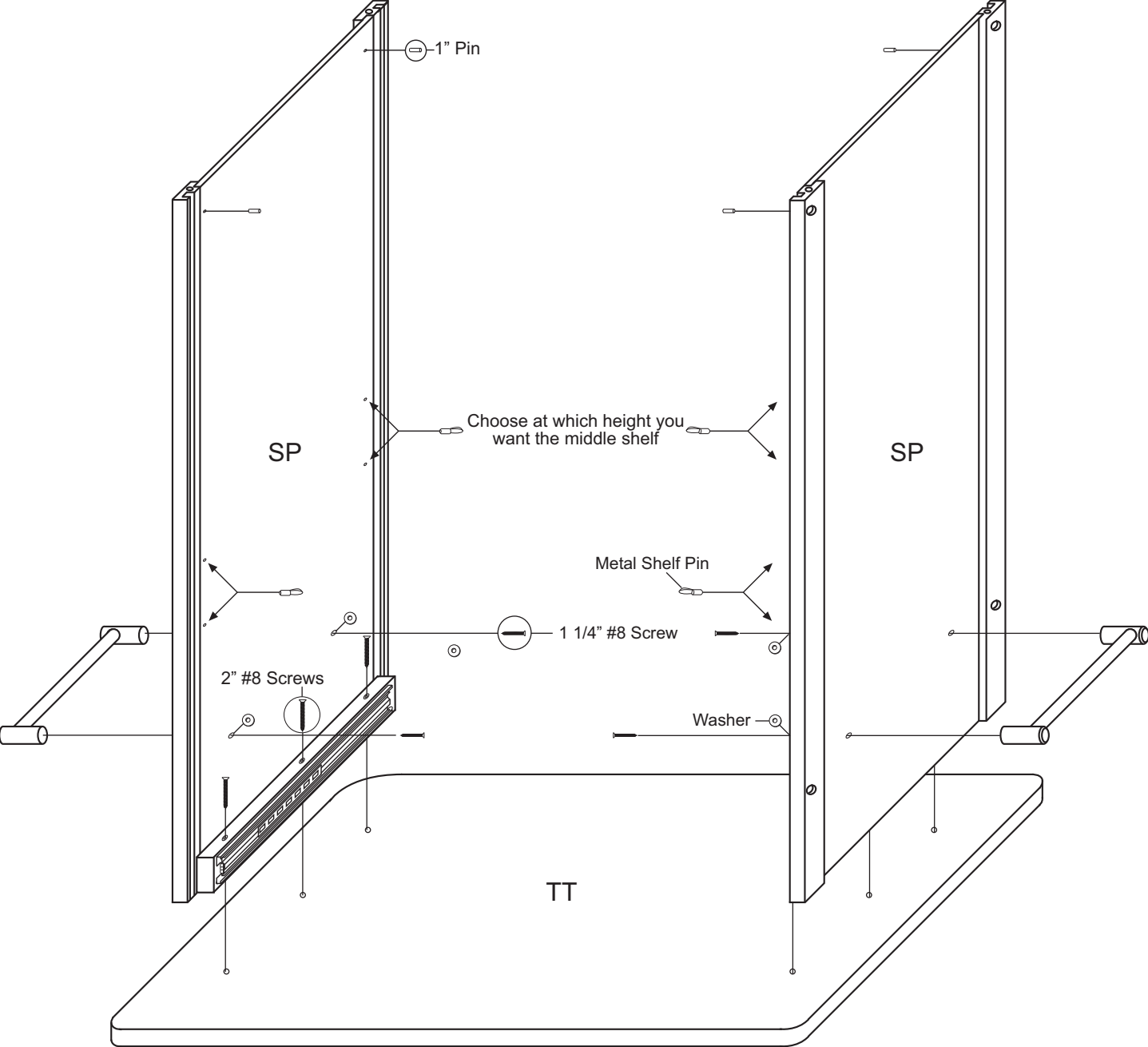
SP



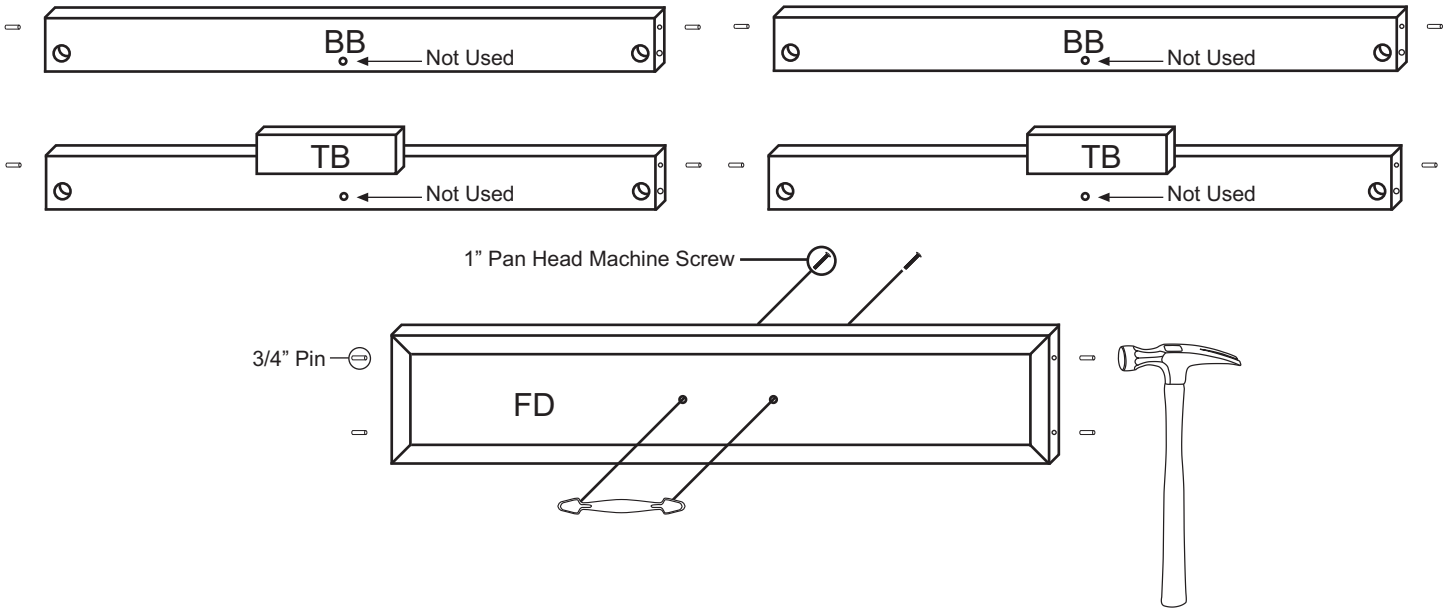
Use these holes to attach to Table Top Stick

Repeat for other Side Panel

# STEP 3

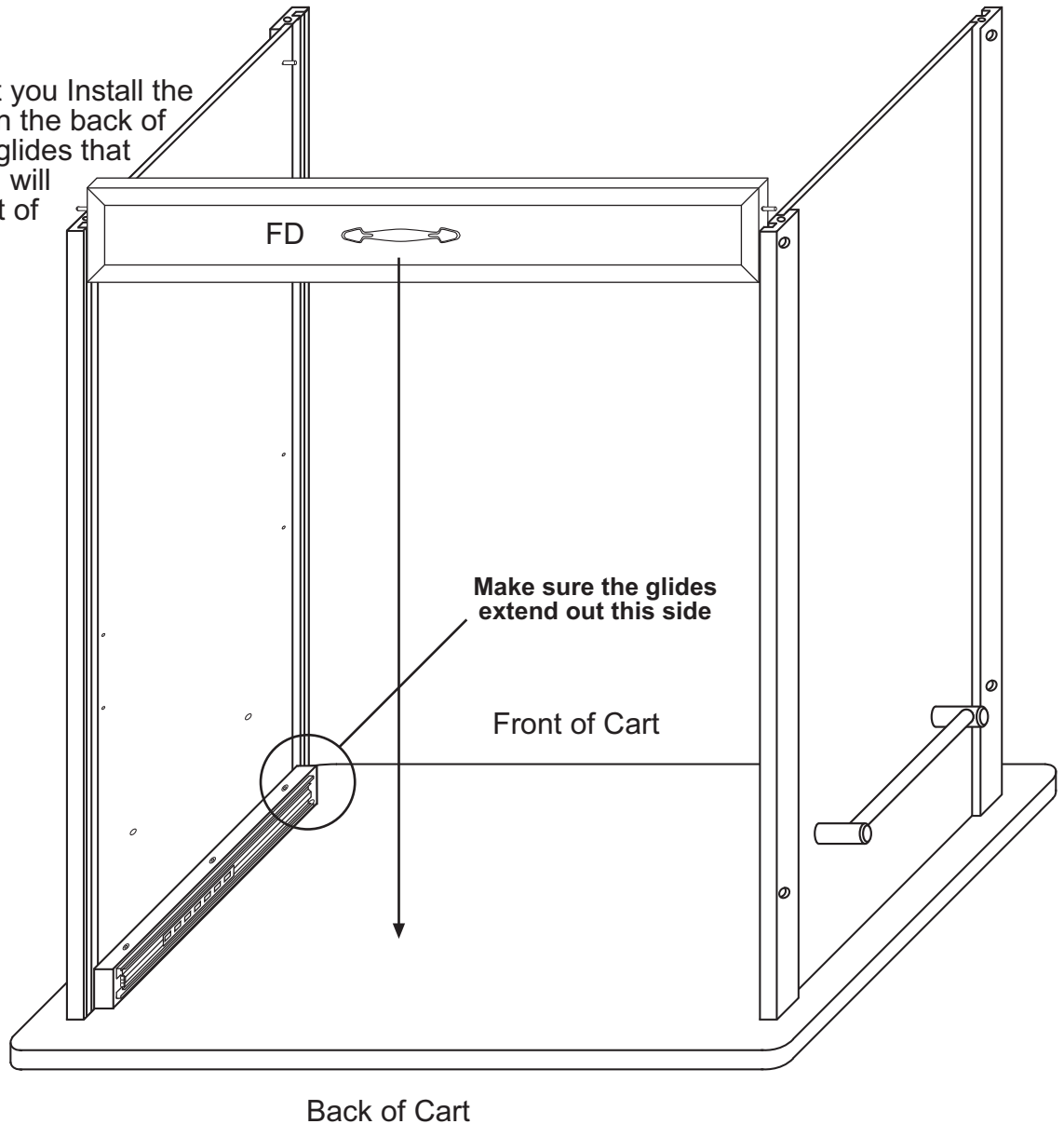


# STEP 4

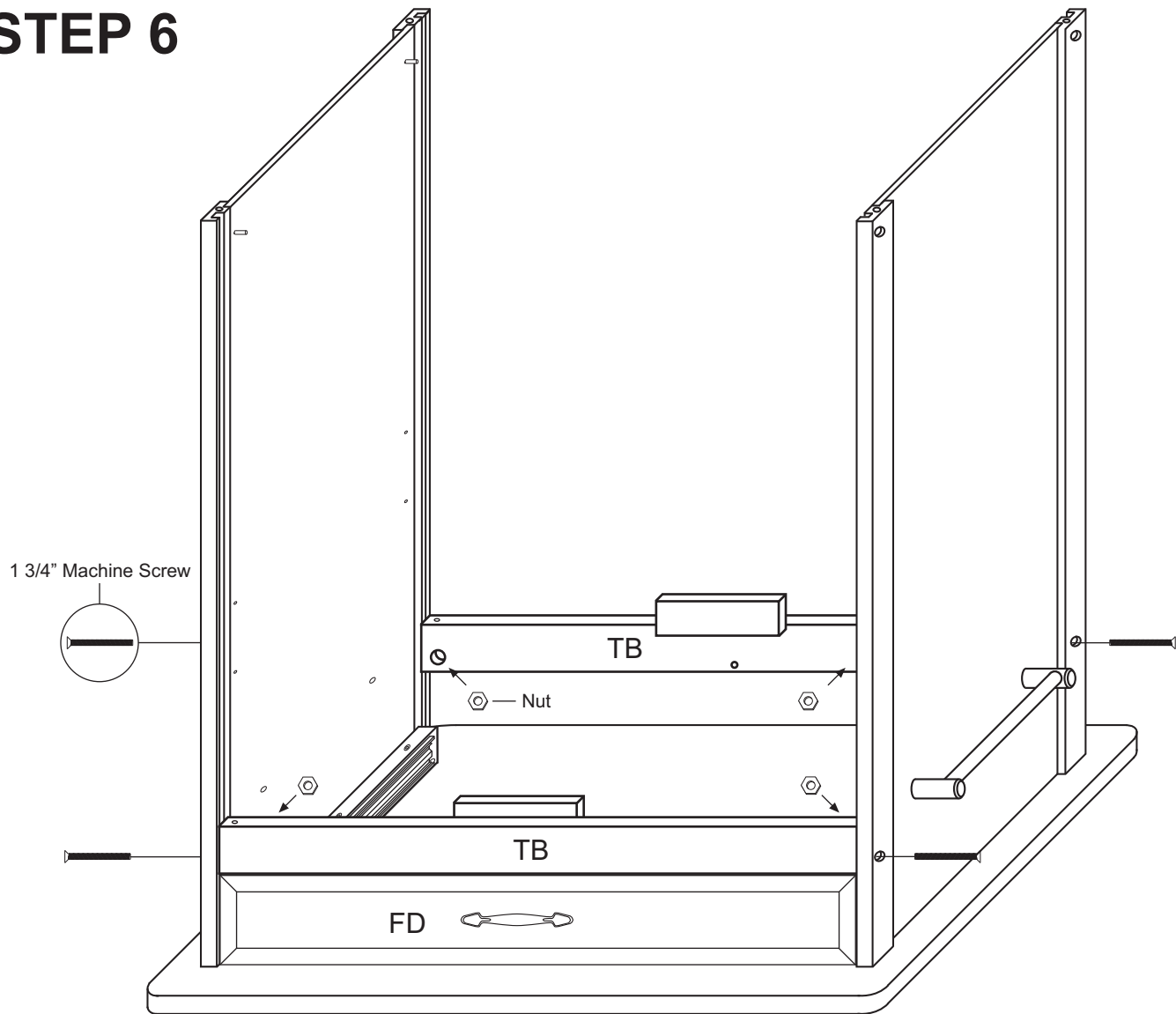


# STEP 5

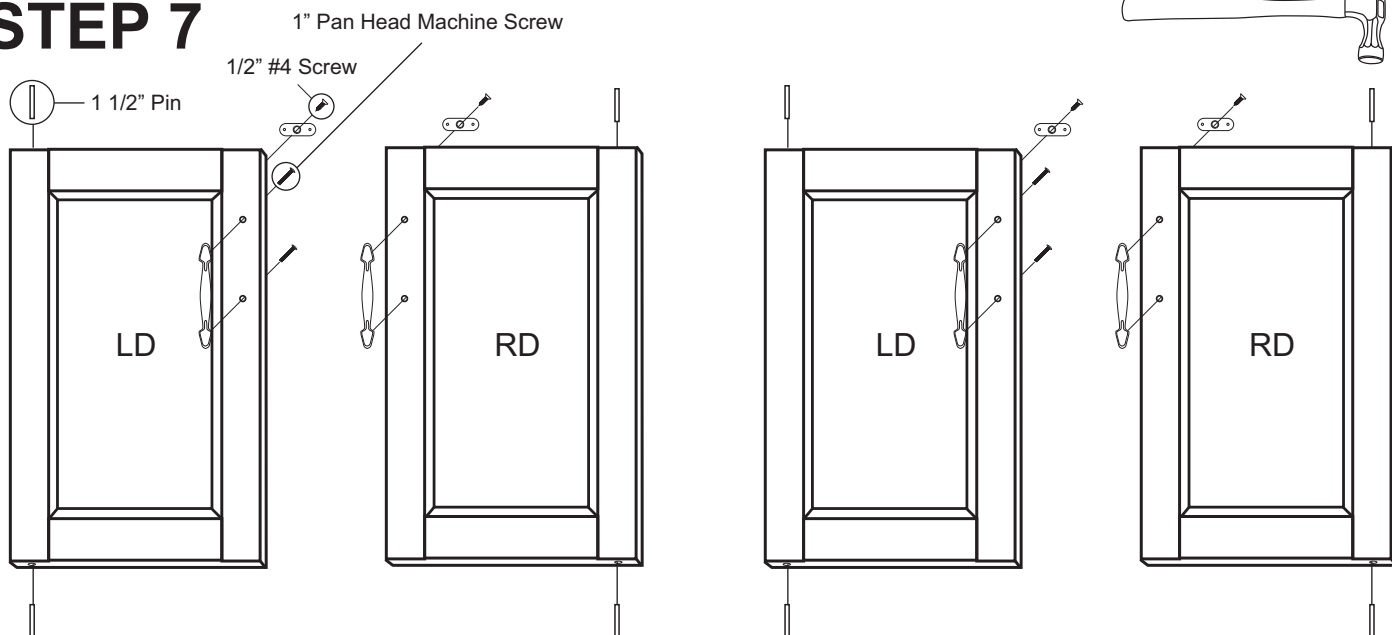
Make sure that you install the False Drawer Front on the back of the cart. The Drawer glides that you installed in step 2 will extend out to the front of the cart.



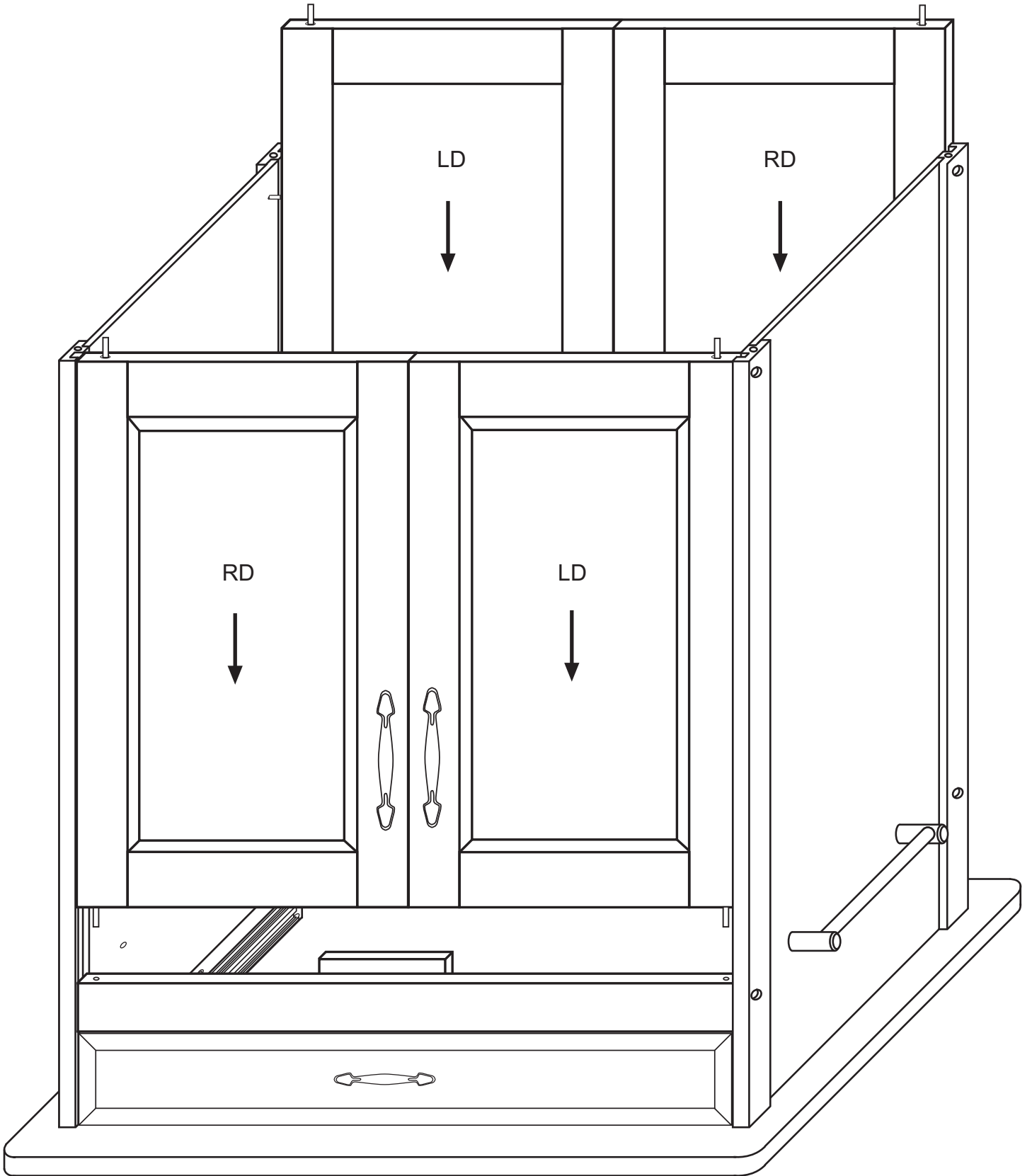
# STEP 6



# STEP 7

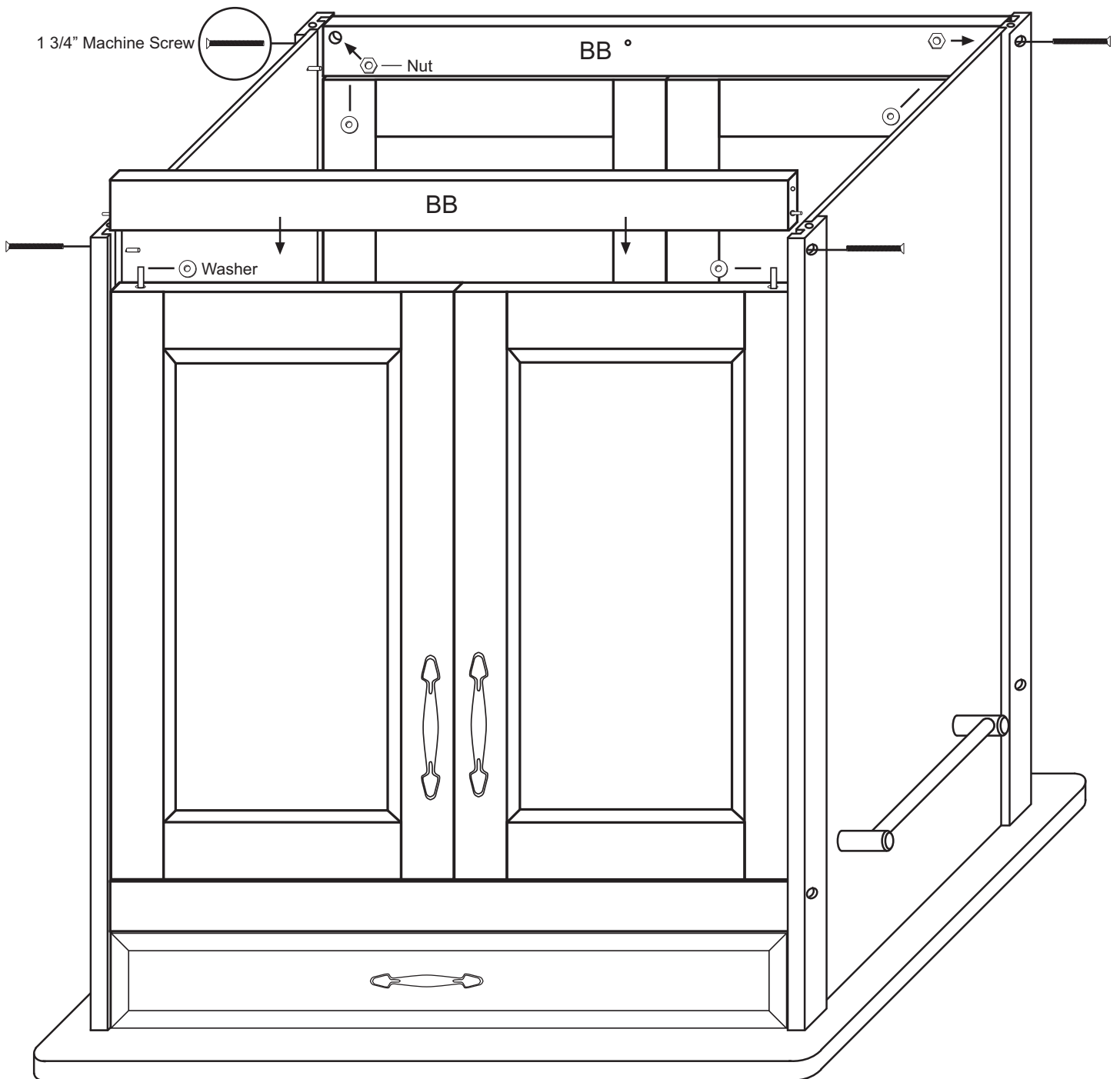


# STEP 8

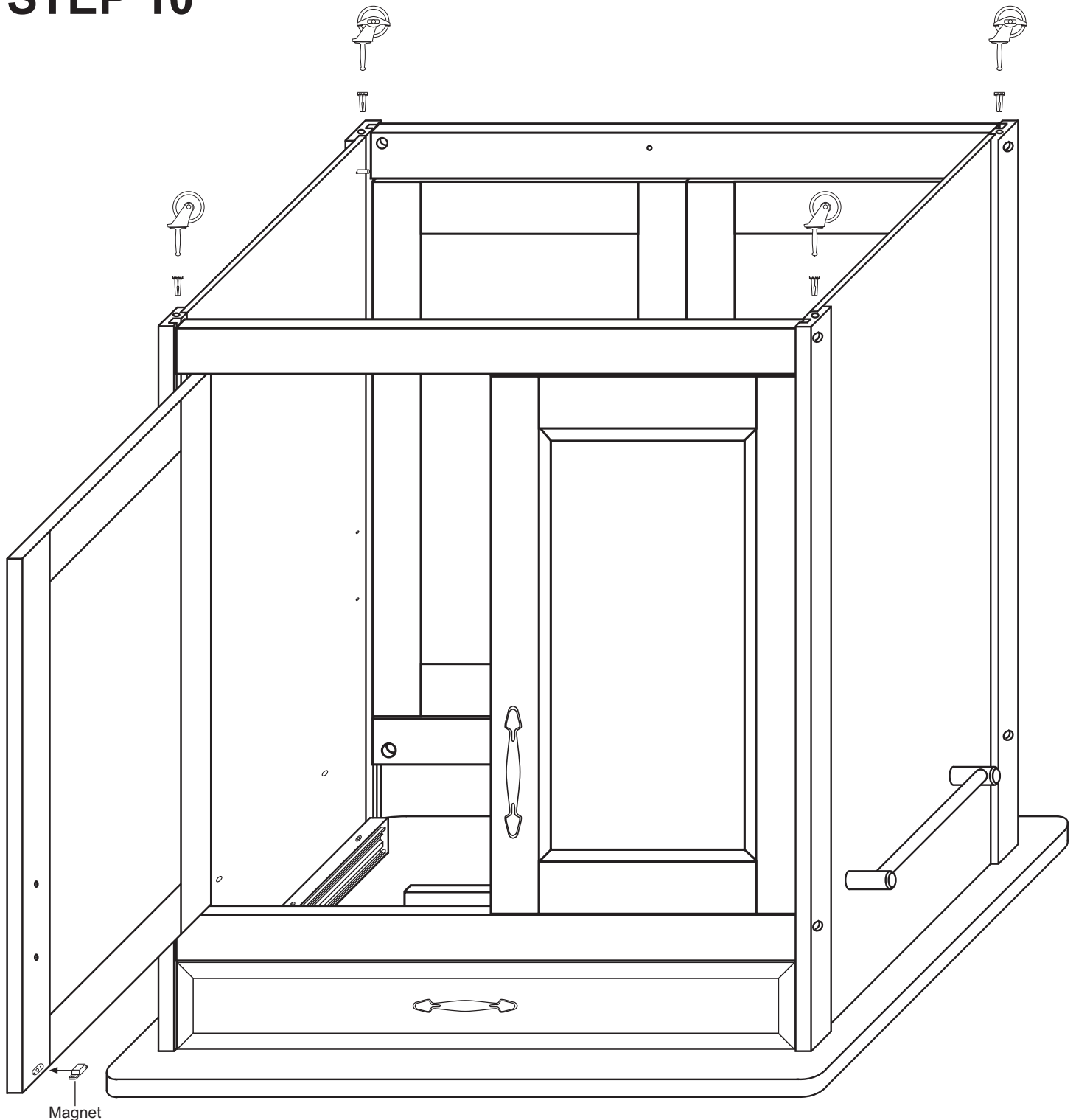




# STEP 9

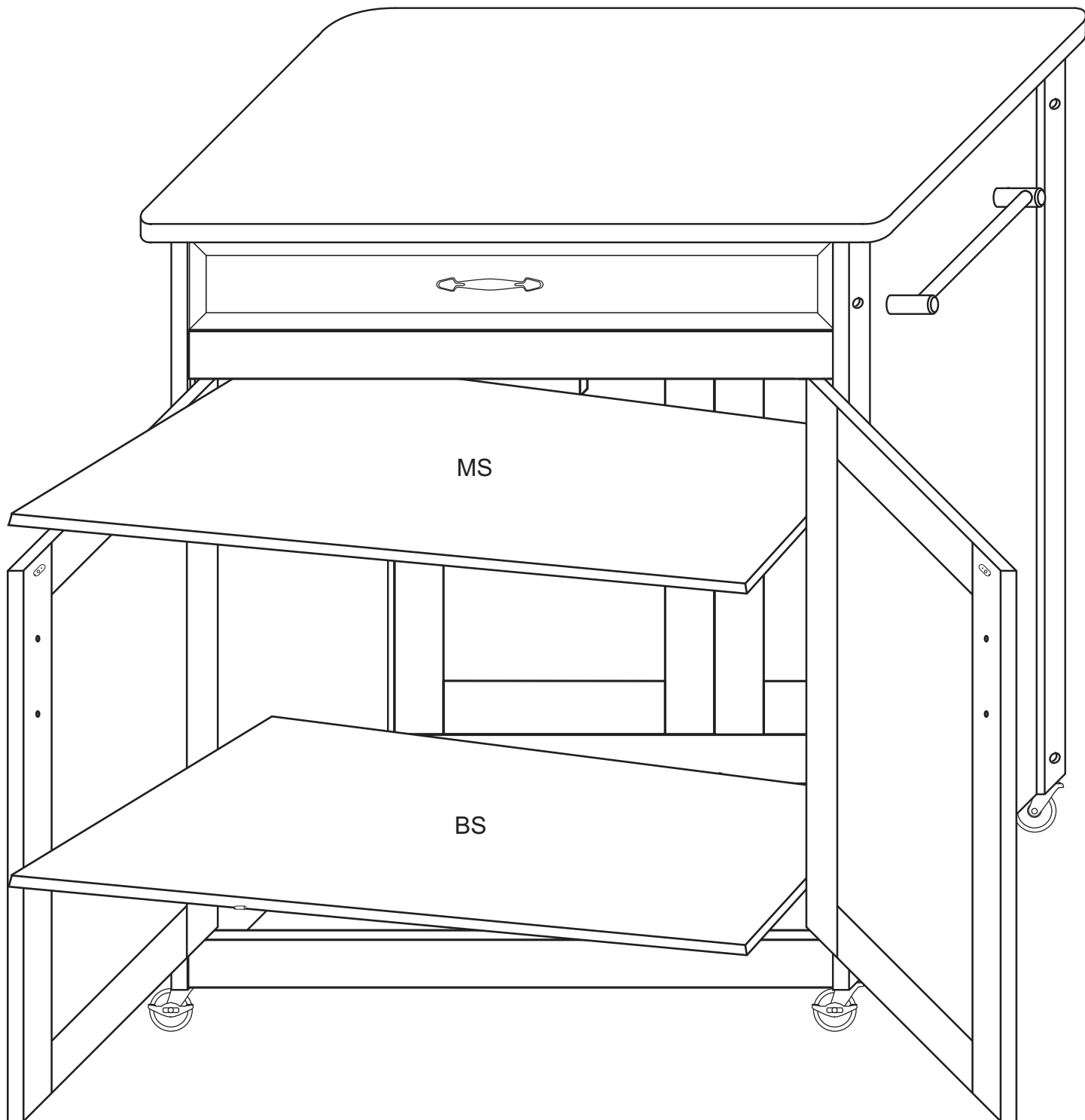
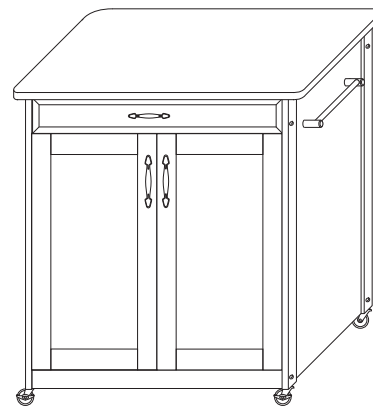


# STEP 10

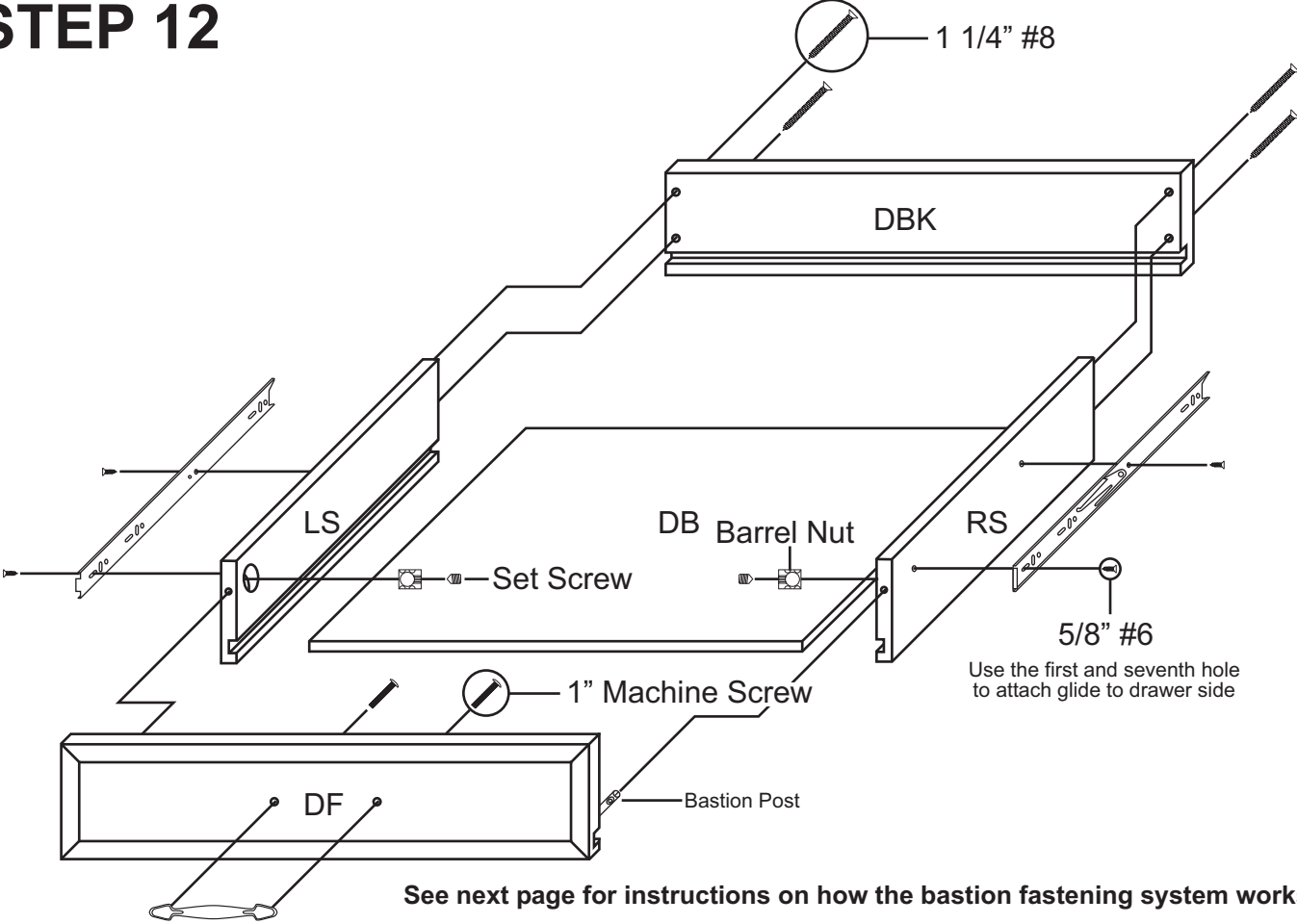


- A. Stick magnet to magnet plate on the right door.
- B. With left door open, close the right door. The magnet should be positioned over the wooden block on the bottom of the top front brace. Hold the magnet in place with your thumb, and open the right door. The magnet will be in the correct position on the block.
- C. Secure magnet with the two round head screws in the magnet packet. Center screws in the slot in the magnet. This will allow adjustment later, if needed.
- D. Repeat with left Door and Doors on back side.

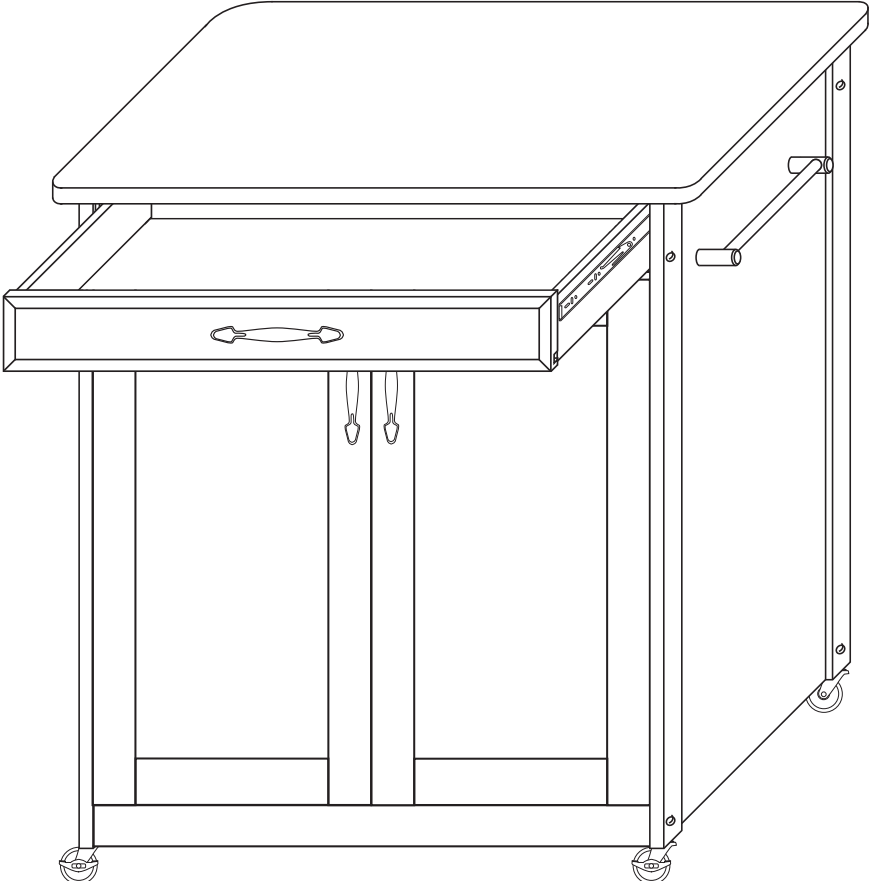
# STEP 11



# STEP 12



See next page for instructions on how the bastion fastening system works.



# TIPS ON HOW THE BASTION FASTENING SYSTEM WORKS

1. The Bastion fastening system consists of a steel post (threaded on one end with a hole through the shaft on the other end); a Barrel Nut (cylindrical barrel-shaped with threaded open end & holes through the sides); and a Set Screw (Phillips slot on one end, pointed on the other)

2. To attach Posts: A) Dip threads of Post in vegetable oil. B) Align threaded end of Post with hole in wood, tap on slotted end with hard hammer until threads enter, then tighten down using a flat head screw driver or the provided allen wrench (See the Illus. Bas. 3 for alternate seating methods). **DO NOT TRY TO HAMMER THE POST ALL THE WAY IN AS IT WILL STRIP THE POST HOLE.** C) When solid shaft of Post hits wood, back out approximately 1/2 turn until the hole in the posts is properly aligned as per step by step directions. For example: the holes in the posts on the inside of the drawer front will be parallel with the long length of the drawer front when properly seated.

3. A) Place a Barrel Nut into the nut access hole, so that the threads in the nut face out. The small notches on either side of the nut opening, indicate the location of the holes through the sides of the nut. B) Insert the posts through the end of the braces (or drawer sides); through the holes in the sides of the nut. When properly aligned, you will see the hole in the post inside the barrel nut. Post hole should be slightly off-center toward the wood.

4. Insert the Set Screw into the threaded end of the nut and tighten down. The tip of the Set Screw will seek the center of the hole in the Post as it is tightened down, forcing the Nut toward the main shaft of the Post. This is what tightens the wooden parts together. Set screws should thread easily – **DON'T CROSS THREAD!** If Set Screw doesn't thread easily, check position of the hole in Post.

5. If the wooden parts are not tight against each other, the Post needs to be screwed a half turn at a time until wood joints are tight.

Illustration Bas. 1

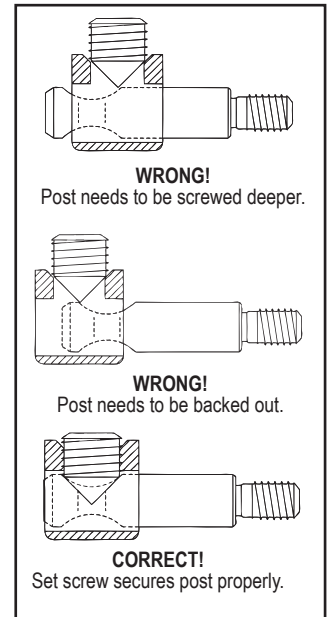
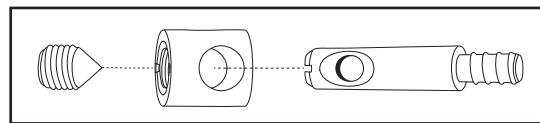
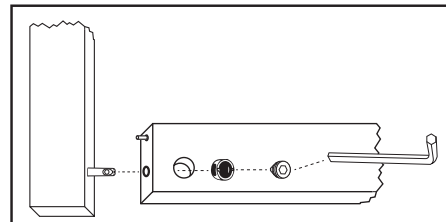


Illustration Bas. 2



Step 2



Allen Wrench Provided

Step 1

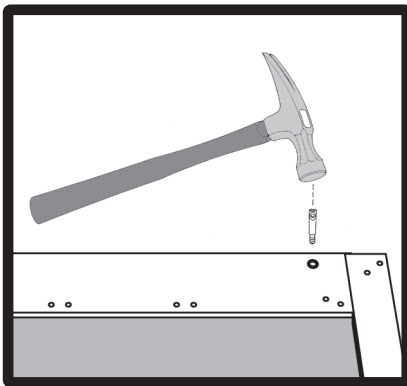
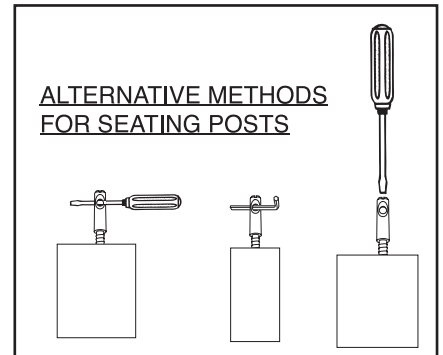


Illustration Bas. 3



See video on our website!

If you have any questions regarding assembly or missing or damage parts, call our customer support number:

607-652-7321 or 888-732-7321.

Customer Support Hours are 8am-5pm Mon. - Fri. Eastern Time zone.



For continued beauty and long life of your Catskill Craftsmen cart, we recommend Catskill Craftsmen's Butcher Block Oil. Our Butcher Block Oil is available directly from Catskill Craftsmen's factory. For one eight ounce (8 fl. oz.) bottle, which is sufficient for two applications, simply send \$7.95 along with the completed coupon to the address below. Visit us online at [www.catskillcraftsmen.com](http://www.catskillcraftsmen.com) to browse our assortment of butcher block care products. Visa and Mastercard are accepted online.



Catskill Craftsmen, Inc.  
15 West End Ave.  
Stamford, NY 12167-1296



### BUTCHER BLOCK OIL COUPON

Please send me \_\_\_\_\_ # of bottle(s) of the Catskill Craftsmen Butcher Block Oil at \$7.95 per bottle. My check or money order is enclosed for a total of \$\_\_\_\_\_.

Item code: 53228

Name \_\_\_\_\_

Address \_\_\_\_\_

City \_\_\_\_\_

State \_\_\_\_\_ Zip \_\_\_\_\_

Please make checks payable to Catskill Craftsmen Inc.  
15 West End Ave., Stamford, NY 12167-1296